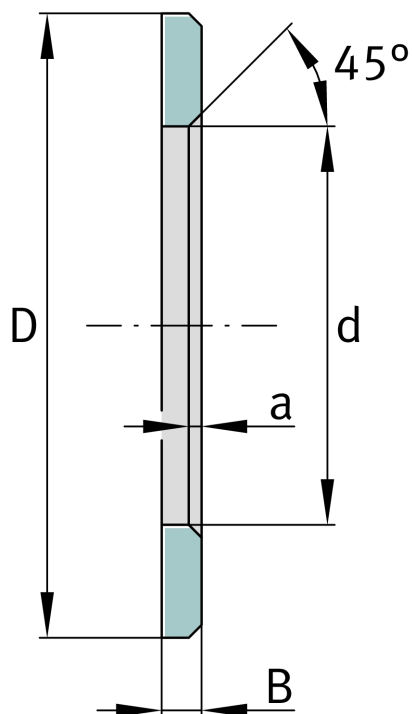
**FAG****LS3047**

Bearing washer

Schaeffler ID:
0383922320000Bearing washers, suitable for AXK and
K811

Technical information

**Main Dimensions & Performance Data**

d	30 mm	Bore diameter track washer
D	47 mm	Outside diameter track washer
B	3 mm	Width
	45 °	Chamfer Angle
a _{min}	1 mm	Chamfer width
	23 g	Weight

